



SUBARU

PART NUMBER: H671SAN200

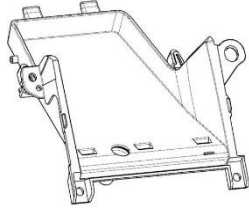
GENUINE PARTS
INSTALLATION
INSTRUCTIONS

DESCRIPTION: WIRELESS
CHARGER

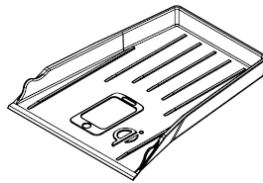
1

KIT CONTENTS

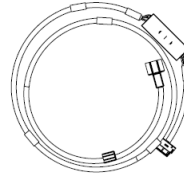
Wireless Charging Assembly



Rubber Insert



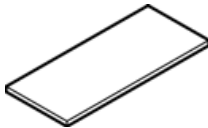
T- Harness



Tie Wrap (Quantity=6)



Foam Tape (Quantity=2)



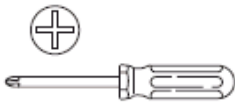
Wireless Charging Information Card



2

TOOLS REQUIRED

Philips Screwdriver



Torque Wrench



Panel Removal Tool



10mm socket and ratchet



Nipper



PART NUMBER
H671SAN200

ISSUE
REV 02

DATE
Mar 14 2019

SUBARU OF AMERICA

1 OF 10

3

VEHICLE PREPARATION

1. Place vehicle in ACC mode, engage Parking brake, turn vehicle OFF.
2. Disconnect the negative battery terminal using a 10mm socket/ratchet. (FIGURE A)

NOTE: If equipped, disconnect eyelet cable only.

NOTE: DO NOT PROCEED TO THE NEXT STEP FOR ONE (1) MINUTE TO ALLOW TIME FOR THE ACCESSORY POWER SUPPLY TO DISCHARGE.

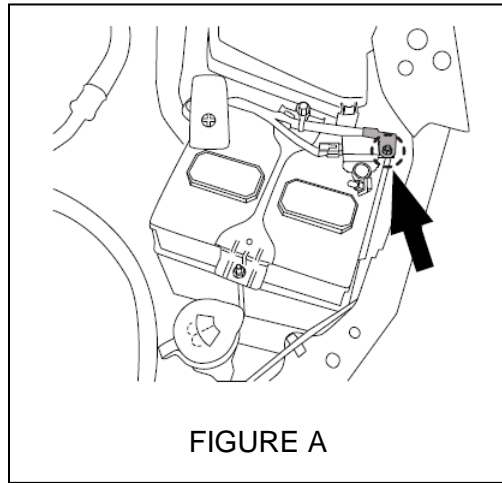


FIGURE A

3. Use panel removal tool to pry and push down on the factory cover grip. (FIGURE B)

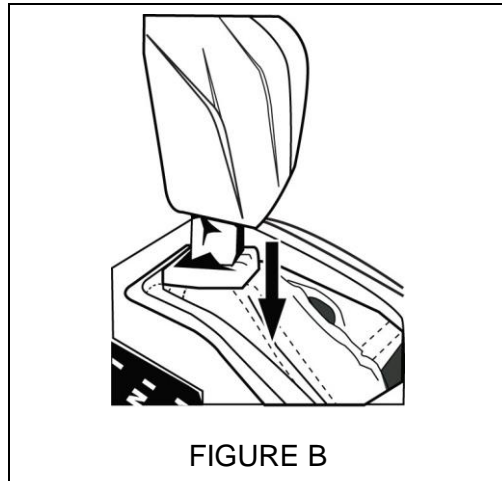


FIGURE B

4. Remove shifter knob retention pin by pushing both sides of the clip forward and then remove the shifter knob. (FIGURE C)

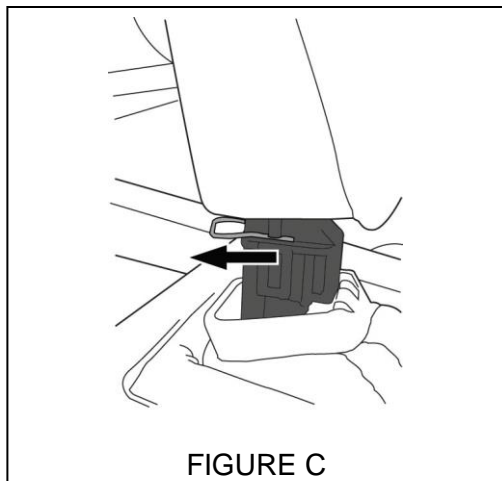
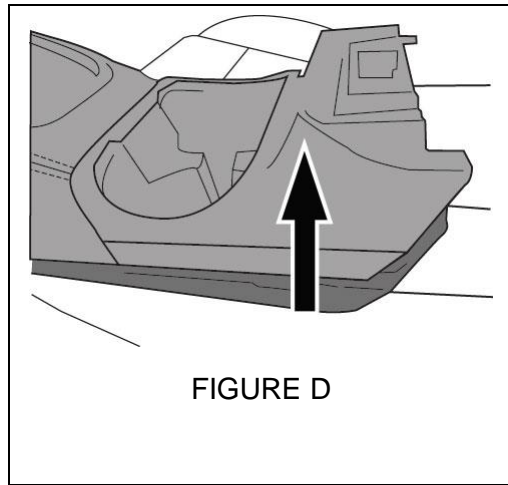


FIGURE C

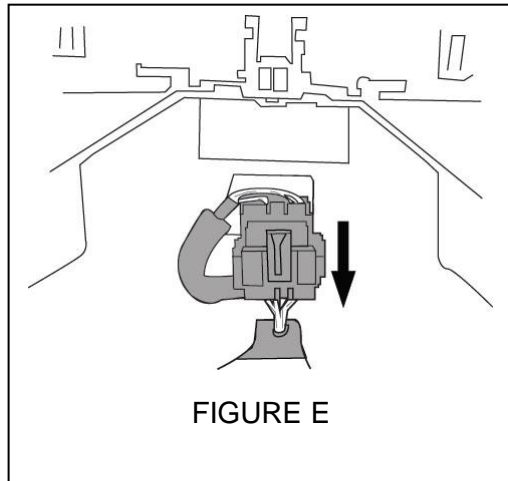
3

VEHICLE PREPARATION, continued

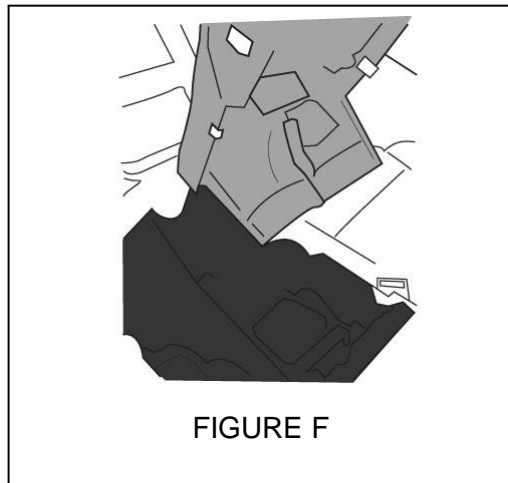
5. Open Console Box Lid.
6. Pull up on console cover behind cup holders. (FIGURE D)



7. Disconnect console power connection. (FIGURE E)



8. Lift towards rearward to remove console cover and place upside down on protected bench top. (FIGURE F)
9. Remove console pocket rubber insert and discard.



3

VEHICLE PREPARATION, continued

10. Remove lower console pocket from dash by pulling rearward and discard. (FIGURE G)

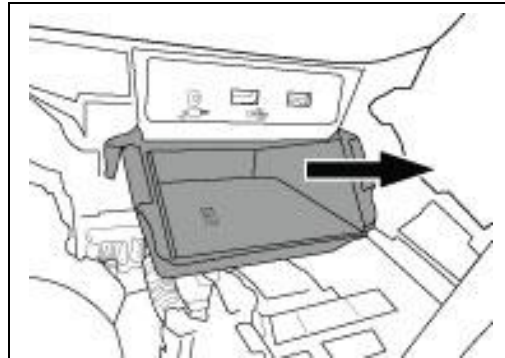


FIGURE G

11. Disconnect Rear Accessory Power connector. (FIGURE H)

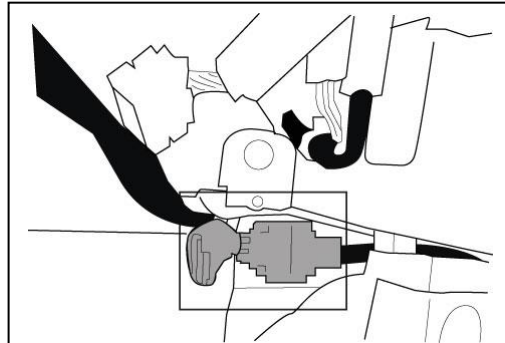


FIGURE H

12. Depress shift interlock switch and shift transmission into lowest position. (FIGURE I)

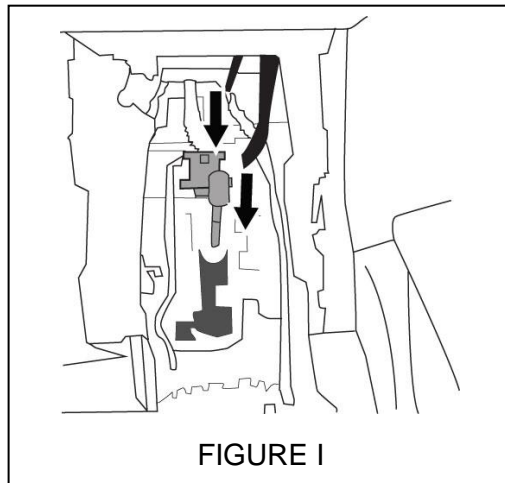


FIGURE I

4

WIRELESS CHARGER INSTALLATION

1. Remove 4 Philips head screws holding the front shift cover to console cover. Save screws for reuse.
 - Note: Remove lower left screw last, unclip left side trim to gain access.
 - Disconnect harness.
2. Remove shift cover.
3. Disconnect harness. (FIGURE J)



FIGURE J

4. Remove the front upper pocket with Philips head screw driver by removing the 3 screws. (FIGURE K)



FIGURE K

5. Install wireless charger assembly. Reinsert the 3 screws into upper pocket. Screw torque = 3.7 ± 0.8 N·m (32.75 ± 7 in·lb). (FIGURE L)

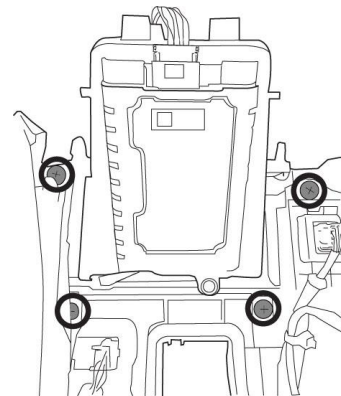


FIGURE L

4

WIRELESS CHARGER IN STALLATION, continue

6. Reinstall front shift cover to console cover.
7. Torque to spec.
8. Re-connect harness. (FIGURE M)



FIGURE M

9. Install wireless charger T harness in console lid and secure with supplied zip ties at the marked locations. (FIGURE N)

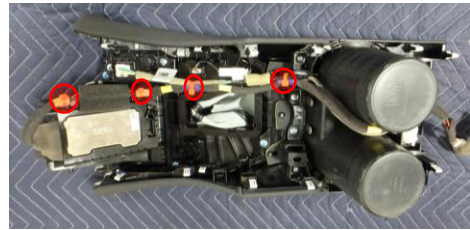


FIGURE N

10. Secure harness with factory hold point. (FIGURE O)



FIGURE O

4

WIRELESS CHARGER INSTALLATION, continue

11. Plug harness into wireless charging assembly. (FIGURE P)

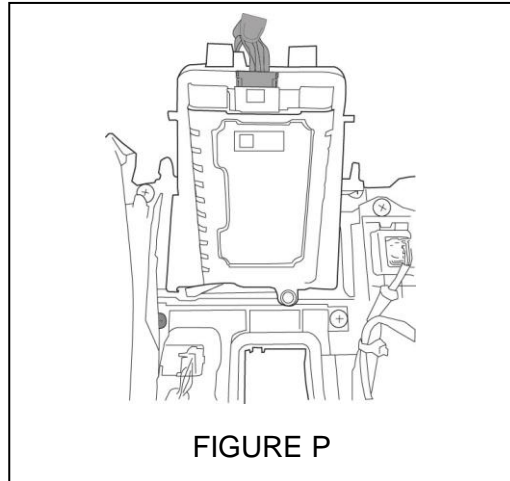


FIGURE P

12. Place shorter piece of foam tape in the highlighted area. (FIGURE Q)



FIGURE Q

13. Place upper console back in car, lining up forward tabs with receiver holes. (FIGURE R)

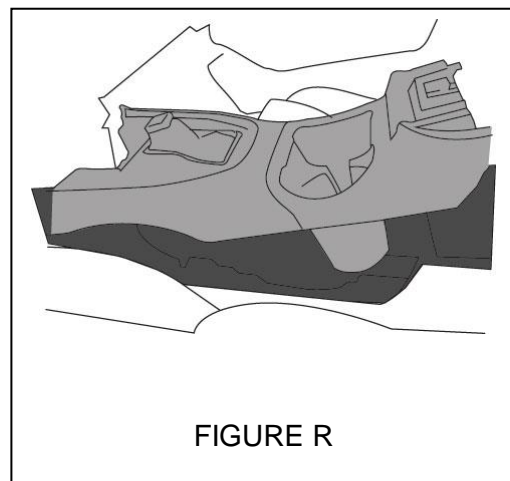


FIGURE R

4

WIRELESS CHARGER INSTALLATION, continue

- 14. Plug in wireless charging T harness to Rear Accessory Power connector.
- 15. Place longer piece of foam tape around connector. (FIGURE S)

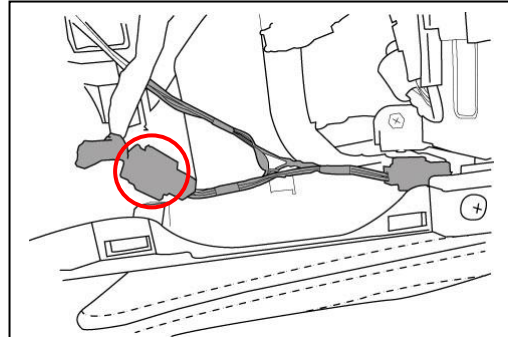


FIGURE S

- 16. Plug in Console power connection. (FIGURE T)

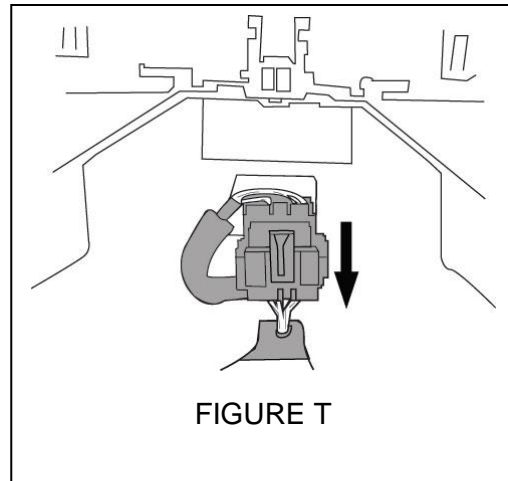


FIGURE T

5

VEHICLE PARTS RE-INSTALLATION

1. Lower rear of console cover and push forward slightly. Evenly press down on console cover to lock in mounting clips. (FIGURE U)

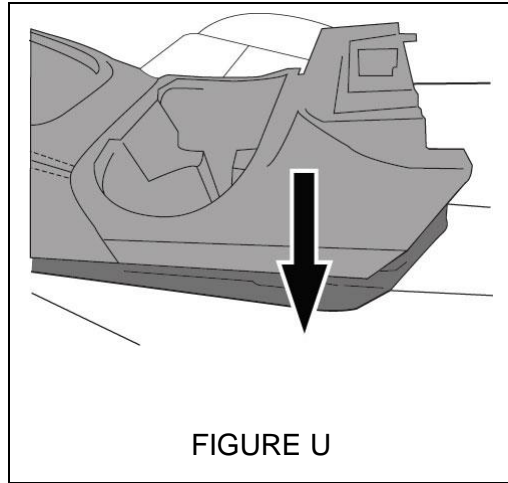


FIGURE U

2. Place small screw driver down service port and engage shift interlock switch, shift transmission into park. (FIGURE V)

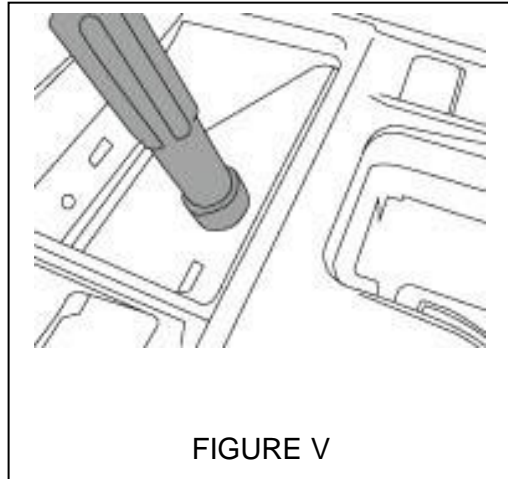


FIGURE V

3. Reinstall shift boot.
4. Reinstall shift knob and retention clip.
5. Reconnect shift boot to knob.
6. Place rubber liner into wireless charging pocket and secure. (FIGURE W)
7. Insert wireless charging information card.
8. Reconnect battery. Torque = 7.4 N·m (66 in·lb).

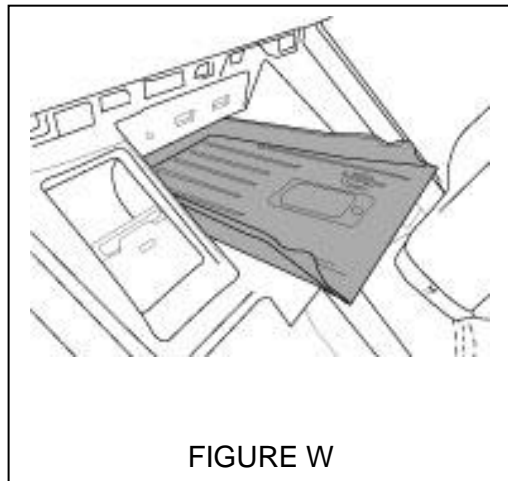


FIGURE W

6**POST INSTALLATION CHECKLIST**

Place car in ACC or ON mode
Ensure wireless charger indicator light
illuminates in white.

PART NUMBER
H671SAN200

ISSUE
REV 02

DATE
Mar 14 2019

SUBARU OF AMERICA

10 OF 10